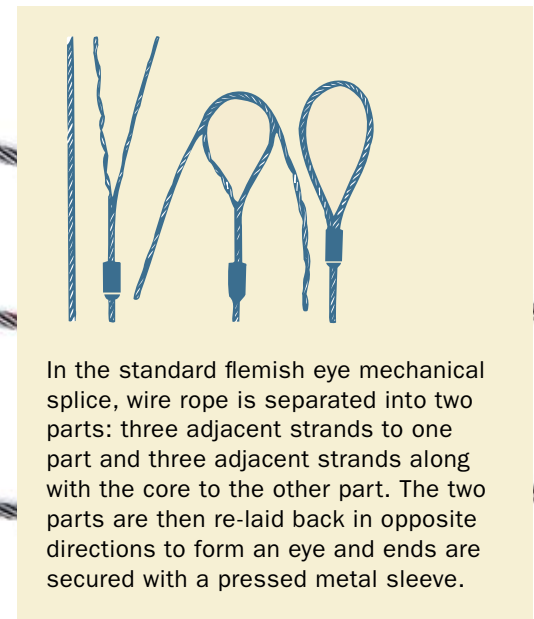


Single part body, mechanically-spliced wire rope slings

Eyes are typically formed using a flemish eye splice. The ends are secured by pressing a metal sleeve over the ends of the strands of the splice. Pull follows a direct line along the center of the rope and eye. Single part body mechanical splice slings have a higher rated capacity than hand-spliced slings.

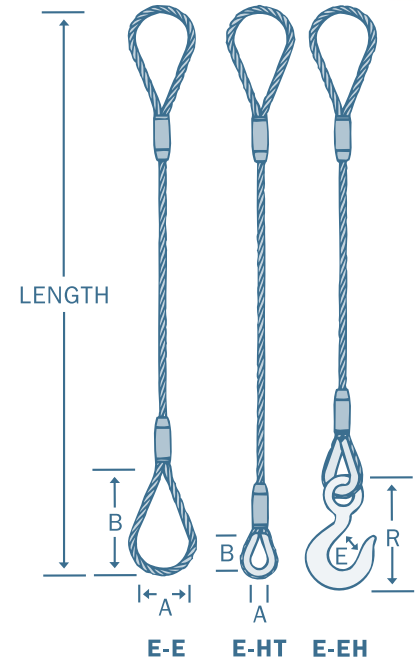


FLEMISH EYE SPLICE



115 IWRC

	RATED CAPACITY - Tons*						E-E Eye Dimensions		E-HT Thimble		E-EH Hook			
	Rope Dia. (in.)	Vert.	Choker Hitch ***	Basket Hitch			A	B	A	B	WLL** Tons	E	R	
				Vert.	60°	45°								30°
6 X 19 XIP®	1/4	0.65	0.48	1.3	1.1	0.91	0.65	2.0	4	0.88	1.63	3/4	0.89	3.34
	5/16	1.0	0.74	2.0	1.7	1.4	1.0	2.5	5	1.06	1.88	1	0.91	3.81
	3/8	1.4	1.1	2.9	2.5	2.0	1.4	3.0	6	1.13	2.13	1-1/2	1.00	4.14
	7/16	1.9	1.4	3.9	3.4	2.7	1.9	3.5	7	1.25	2.38	2	1.09	4.69
	1/2	2.5	1.9	5.1	4.4	3.6	2.5	4.0	8	1.50	2.75	3	1.36	5.77
	9/16	3.2	2.4	6.4	5.5	4.5	3.2	4.5	9	1.50	2.75	5	1.61	7.37
	5/8	3.9	2.9	7.8	6.8	5.5	3.9	5.0	10	1.75	3.25	5	1.61	7.37
	3/4	5.6	4.1	11	9.7	7.9	5.6	6.0	12	2.00	3.75	7-1/2	2.08	9.07
	7/8	7.6	5.6	15	13	11	7.6	7.0	14	2.25	4.25	10	2.27	10.08
	1	9.8	7.2	20	17	14	9.8	8.0	16	2.50	4.50	10	2.27	10.08
1-1/8	12	9.1	24	21	17	12	9.0	18	2.88	5.13	15	3.02	12.53	
1-1/4	15	11	30	26	21	15	10.0	20	2.88	5.13	15	3.02	12.53	
6 X 36 XIP®	1-3/8	18	13	36	31	25	18	11	22	3.50	6.25	AH-22	3.02	12.53
	1-1/2	21	16	42	37	30	21	12	24	3.50	6.25	AH-22	3.02	12.53
	1-5/8	24	18	49	42	35	24	13	26	4.00	8.00	AH-30	3.25	14.06
	1-3/4	28	21	57	49	40	28	14	28	4.50	9.00	AH-37	3.00	18.19
	2	37	28	73	63	52	37	16	32	6.00	12.00	AH-45	3.38	20.12
	2-1/4	44	35	89	77	63	44	18	36	7.00	14.00	AH-60	4.12	23.72
	2-1/2	54	42	109	94	77	54	20	40					
	2-3/4	65	51	130	113	92	65	22	44					
	3	77	60	153	133	108	77	24	48					
	3-1/2	102	79	203	176	144	102	28	56					
4	130	101	260	224	183	130	32	64						



All capacities in tons of 2,000 lbs. All eye and fitting dimensions in inches.

* Rated Capacities Basket Hitch based on D/d Ratio of 25.

Rated Capacities based on pin diameter no larger than natural eye width or less than the nominal sling diameter.

Rated Capacities based on design factor of 5. Horizontal sling angles less than 30° shall not be used.

** Working Load Limit, based on standard carbon fittings unless noted otherwise.

*** See Choker Hitch Rated Capacity Adjustment on Page 7.

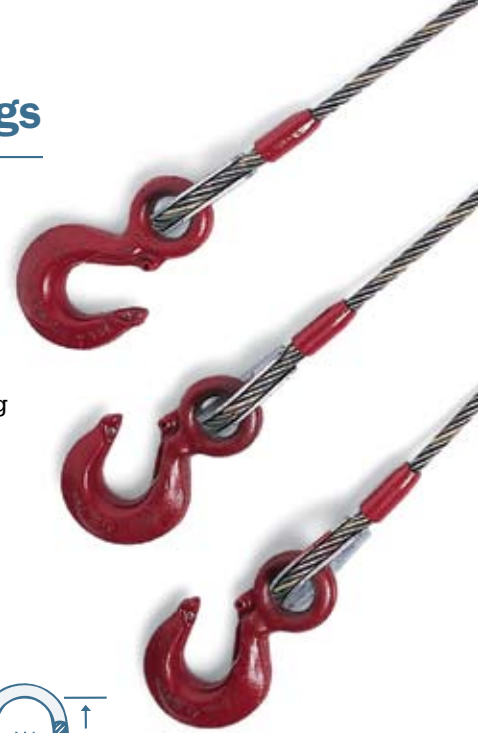
Single part body, mechanically-spliced wire rope slings

TWO- AND MULTI-LEGGED BRIDLES

TWO-LEGGED BRIDLES Whether used as chokers or with hooks or other end attachments, they are affected by rigging angles. Note the reduction in rated capacity as leg angles are reduced.

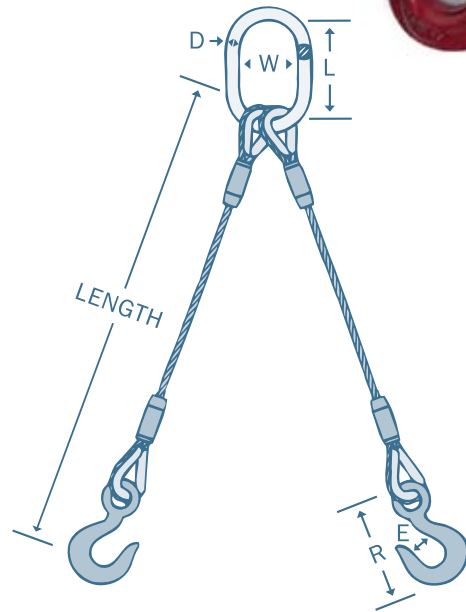
MULTI-LEGGED BRIDLES With two, three or four straight legs, they are offered with plain eyes, thimble eyes, open sockets, closed sockets, shackles or turnbuckles.

Rated capacities shown for multi-leg slings are for slings that have all legs the same length and all legs are equally sharing the load being lifted.



125-HT-EH IWRC

Rope Dia. (in.)	RATED CAPACITY - Tons*			Alloy Oblong Link			Hook		
	60°	45°	30°	D	L	W	WLL** Tons	E	R
6 X 19 XIP®	1/4	1.1	0.91	0.50	5.00	2.50	3/4	0.89	3.34
	5/16	1.7	1.4	0.50	5.00	2.50	1	0.91	3.81
	3/8	2.5	2.0	0.50	5.00	2.50	1-1/2	1.00	4.14
	7/16	3.4	2.7	0.75	5.50	2.75	2	1.09	4.69
	1/2	4.4	3.6	0.75	5.50	2.75	3	1.36	5.77
	9/16	5.5	4.5	1.00	7.00	3.50	5	1.61	7.37
	5/8	6.8	5.5	1.00	7.00	3.50	5	1.61	7.37
	3/4	9.7	7.9	1.00	7.00	3.50	7-1/2	2.08	9.07
	7/8	13	11	1.25	8.75	4.38	10	2.27	10.08
	1	17	14	1.50	10.50	5.25	10	2.27	10.08
6 X 36 XIP®	1-1/8	21	17	1.50	10.50	5.25	15	3.02	12.53
	1-1/4	26	21	1.75	12.00	6.00	15	3.02	12.53
	1-3/8	31	25	1.75	12.00	6.00	AH-22	3.02	12.53
	1-1/2	37	30	2.00	14.00	7.00	AH-22	3.02	12.53
	1-5/8	42	35	2.00	14.00	7.00	AH-30	3.25	14.06
	1-3/4	49	40	2.25	16.00	8.00	AH-37	3.00	18.19
	2	63	52	2.50	16.00	8.00	AH-45	3.38	20.12

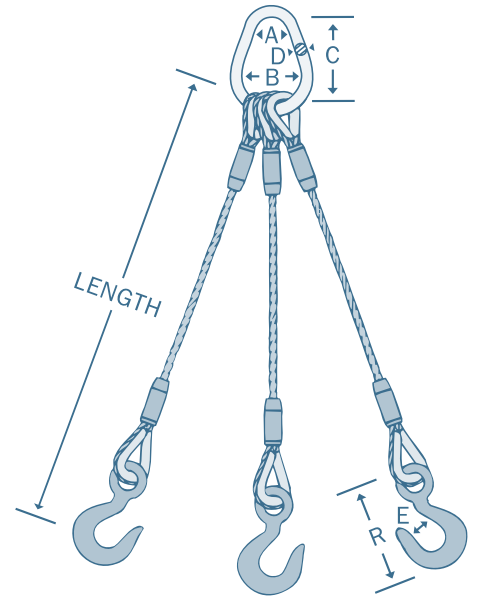


All capacities in tons of 2000 lbs. All eye and fitting dimensions in inches.
 * Rated Capacities Basket Hitch based on D/d ratio of 25.
 Rated Capacities based on pin diameter no larger than natural eye width or less than the nominal sling diameter.
 Rated Capacities based on design factor of 5.
 Horizontal sling angles of less than 30° shall not be used.
 ** Working Load Limit, based on standard carbon fittings unless noted otherwise.



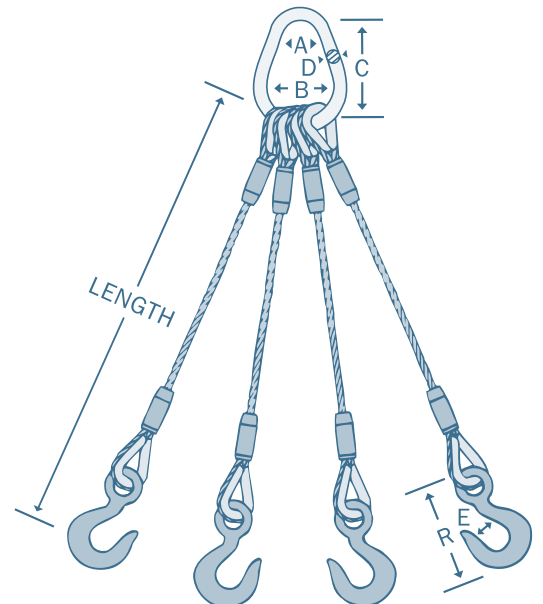
135-HT-EH

	RATED CAPACITY - Tons*			Alloy Pear Link				Hook			
	Rope Dia. (in.)	60°	45°	30°	A	B	C	D	WLL** Tons	E	R
6 X 19 XIP®	1/4	1.7	1.4	0.97	1.50	3.00	4.50	3/4	3/4	0.89	3.34
	5/16	2.6	2.1	1.5	1.50	3.00	4.50	3/4	1	0.91	3.81
	3/8	3.7	3.0	2.2	1.75	3.50	5.25	7/8	1-1/2	1.00	4.14
	7/16	5.0	4.1	2.9	2.00	4.00	6.00	1	2	1.09	4.69
	1/2	6.6	5.4	3.8	2.00	4.00	6.00	1	3	1.36	5.77
	9/16	8.3	6.8	4.8	2.25	4.50	6.50	1-1/8	5	1.61	7.37
	5/8	10	8.3	5.9	2.50	5.00	7.50	1-1/4	5	1.61	7.37
	3/4	15	12	8.4	3.25	6.50	9.75	1-5/8	7-1/2	2.08	9.07
	7/8	20	16	11	3.50	7.00	10.50	1-3/4	10	2.27	10.08
	1	26	21	15	3.50	7.00	10.50	1-3/4	10	2.27	10.08
6 X 36 XIP®	1-1/8	31	26	18	4.00	8.00	12.00	2	15	3.02	12.53
	1-1/4	38	31	22	4.50	9.00	13.50	2-1/4	15	3.02	12.53
	1-3/8	46	38	27	5.00	10.00	15.00	2-1/2	AH-22	3.02	12.53
	1-1/2	55	45	32	5.00	10.00	15.00	2-1/2	AH-22	3.02	12.53
	1-5/8	63	52	37	5.50	11.00	16.50	2-3/4	AH-30	3.25	14.06
	1-3/4	74	60	42	5.50	11.00	16.50	2-3/4	AH-37	3.00	18.19



145-HT-EH

	RATED CAPACITY - Tons*			Alloy Pear Link				Hook			
	Rope Dia. (in.)	60°	45°	30°	A	B	C	D	WLL** Tons	E	R
6 X 19 XIP®	1/4	2.2	1.8	1.3	1.50	3.00	4.50	3/4	3/4	0.89	3.34
	5/16	3.5	2.8	2.0	1.50	3.00	4.50	3/4	1	0.91	3.81
	3/8	5.0	4.1	2.9	1.75	3.50	5.25	7/8	1-1/2	1.00	4.14
	7/16	6.7	5.5	3.9	2.00	4.00	6.00	1	2	1.09	4.69
	1/2	8.8	7.1	5.1	2.50	5.00	7.50	1-1/4	3	1.36	5.77
	9/16	11	9.0	6.4	2.75	5.50	8.25	1-3/8	5	1.61	7.37
	5/8	14	11	7.8	3.00	6.00	9.00	1-1/2	5	1.61	7.37
	3/4	19	16	11	3.50	7.00	10.50	1-3/4	7-1/2	2.08	9.07
	7/8	26	21	15	3.50	7.00	10.50	1-3/4	10	2.27	10.08
	1	34	28	20	4.00	8.00	12.00	2	10	2.27	10.08
6 X 36 XIP®	1-1/8	42	34	24	4.50	9.00	13.50	2-1/4	15	3.02	12.53
	1-1/4	51	42	30	5.00	10.00	15.00	2-1/2	15	3.02	12.53
	1-3/8	62	50	36	6.00	12.00	18.00	3	AH-22	3.02	12.53
	1-1/2	73	60	42	6.00	12.00	18.00	3	AH-22	3.02	12.53



All capacities in tons of 2,000 lbs. All eye and fitting dimensions in inches.

*Rated Capacities Basket Hitch based on D/d ratio of 25.

Rated Capacities based on pin diameter no larger than natural eye width or less than the nominal sling diameter.

Rated Capacities based on design factor of 5.

Horizontal sling angles of less than 30° shall not be used.

** Working Load Limit, based on standard carbon fittings unless noted otherwise.